

**CITY OF NEW YORK
DEPARTMENT OF BUILDINGS**

Pursuant to Administrative Code Section 27-131, the following equipment or Material has been found acceptable for use in accordance with the Report of Material and Equipment Acceptance (MEA) Division.

Satish K. Babbar, R.A. Acting Commissioner

MEA 430-00-M

Report of Material and Equipment Acceptance Division

**Manufacturer – Nofire Technologies, Inc. 21 Industrial Avenue, Upper Saddle River,
New Jersey 07458.**

Trade Name(s) –Nofire.

Product – Intumescent wrap material for fire protection in UL Design X205.

Pertinent Code Section(s) –27-323.

Prescribed Test(s) – RS 5-2 (ASTM E119).

Laboratory –Underwriters Laboratories Inc.

Test Report(s) – UL File R18955 dated October 5, 2000.

Description – Intumescent wrap material, S Barrier, material (fiberglass impregnated with Nofire A-18) 2 mil stainless foil and a layer of Durablanket which provides fire protection for structural steel columns in accordance with UL Design No. X205.

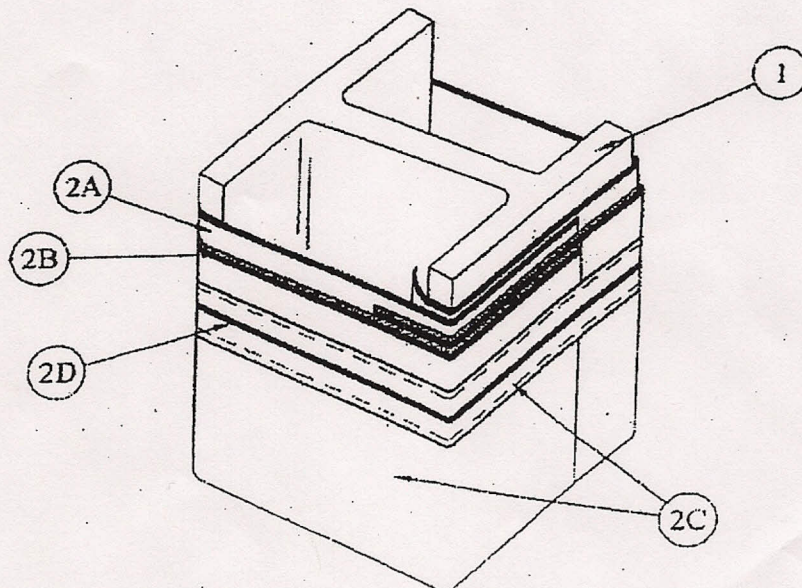
Fire Resistance Rating – ANSI/UL 263

Guide Information

Design No. X205

October 06, 2000

Rating – 1, 1-1/2, and 2 Hr.



Recommendation - That the above described column assemblies, with S Barrier, protection installed and secured as described, be accepted as having the fire resistance ratings listed, when members framing into the column have at least the same fire resistance rating and provided that materials are protected from abrasion or displacement for the full height of the column. The installation of the fireproofing material shall be subject to the controlled inspection requirements of Section 27-132. All shipments and deliveries of such equipment shall be provided with a metal tag, suitably placed, certifying that the equipment shipped or delivered is equivalent to those tested and accepted for use, as provided for in Section 27-131 of the Building Code.

Final Acceptance FEB/23/01

Examined By S Derkhedam